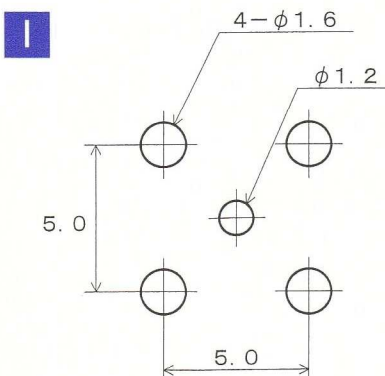
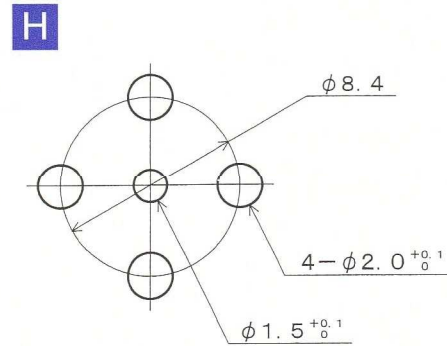
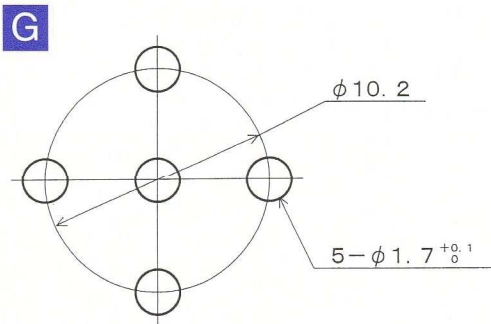
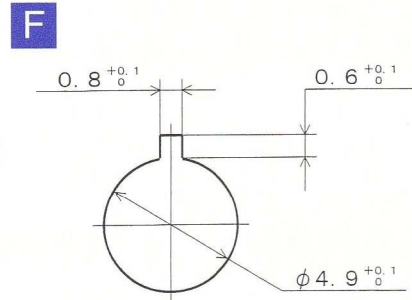
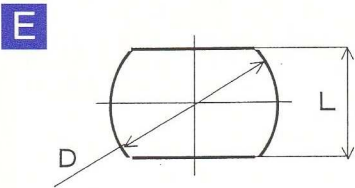
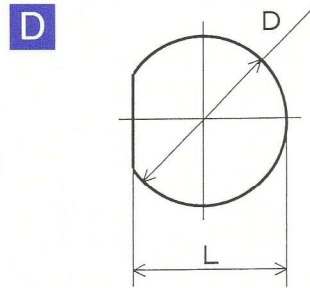
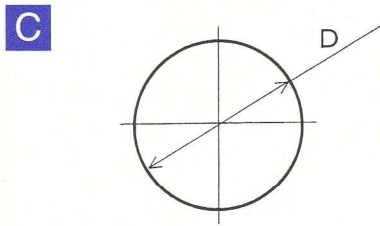
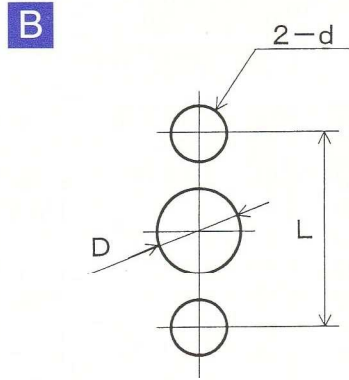
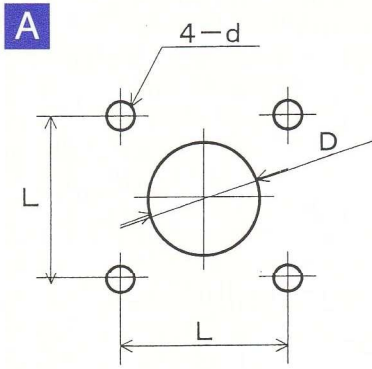


# 取付穴寸法一覽



**A** (単位 mm)

	D	d	L
1	42.0	6.5	36.5
2	30.0	6.5	36.5
3	22.5	3.2	23.0
4	20.0	3.2	23.0
5	18.0	3.2	23.0
6	14.5	3.2	23.0
7	18.0	3.2	18.2
8	17.0	3.2	18.2
9	16.5	3.5	18.2
10	15.0	3.2	18.2
11	15.5	3.2	16.5
12	11.5	3.0	12.7
13	9.0	3.0	12.7
14	5.0	3.0	12.7
15	7.5	3.0	8.6
16	7.0	3.0	8.6
17	6.0	3.0	8.6
18	5.0	3.0	8.6
19	4.5	3.0	8.6
20	3.5	3.0	8.6
21	4.8	2.5	5.9
22	4.2	2.5	5.9
23	3.3	2.5	5.9
24	3.0	2.5	5.9
25	0.9	0.9	2.54
26	9.0	3.6	24.8
27	12.5	3.6	24.8
28	18.5	4.5	34.0
29	23.5	4.5	34.0

**B**

	D	d	L
1	4.5	3.0	12.2
2	3.0	2.5	8.4
3	3.0	2.5	8.3

**C**

	D
1	13.0
2	4.8

**D**

	D	L
1	12.9	12.0
2	11.5	10.5
3	11.3	10.3
4	9.5	8.9
5	6.4	6.0
6	4.94	4.51
7	4.8	4.4

**E**

	D	L
1	16.5	13.5
2	12.9	11.2
3	10.0	8.6
4	10.0	8.3